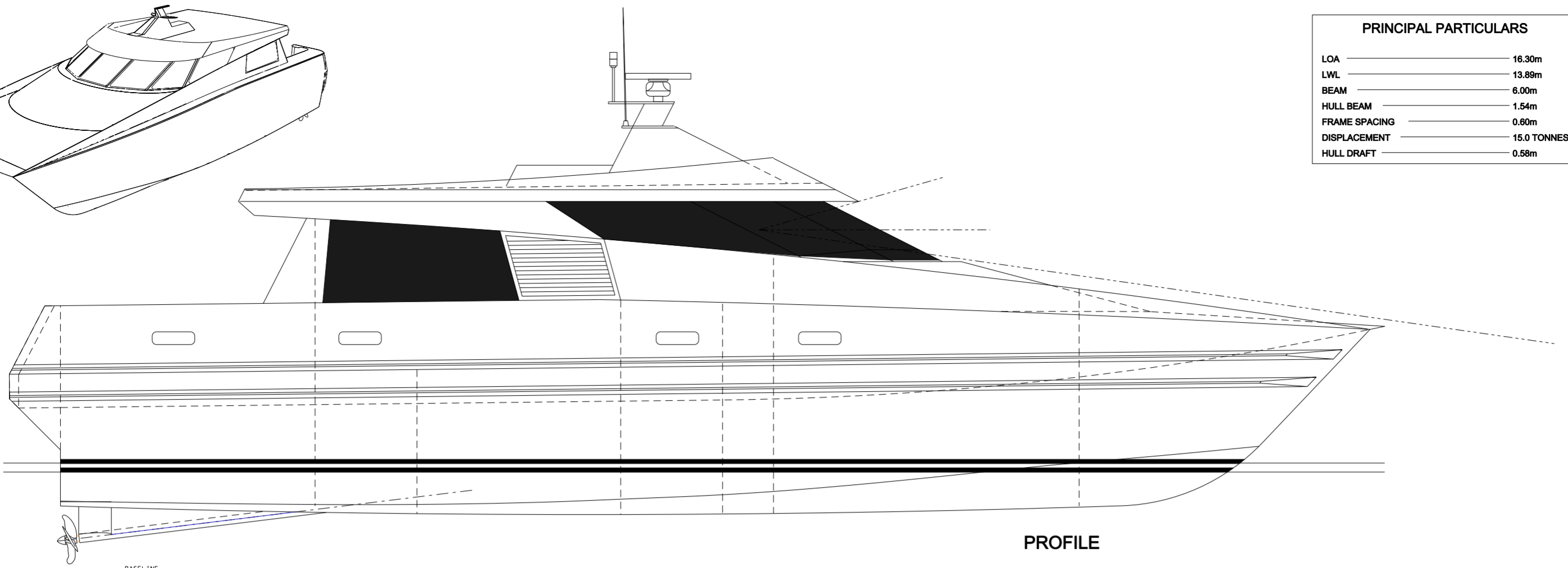
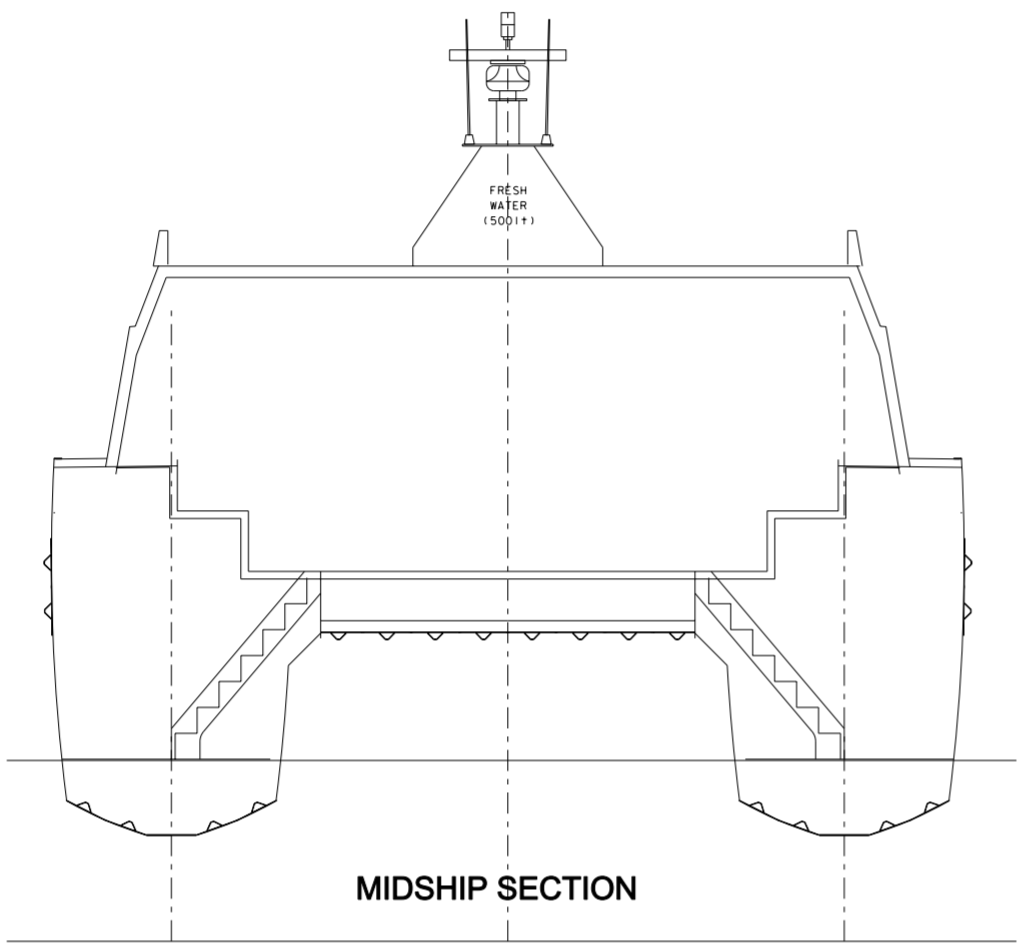


PRINCIPAL PARTICULARS	
LOA	16.30m
LWL	13.89m
BEAM	6.00m
HULL BEAM	1.54m
FRAME SPACING	0.80m
DISPLACEMENT	15.0 TONNES
HULL DRAFT	0.58m

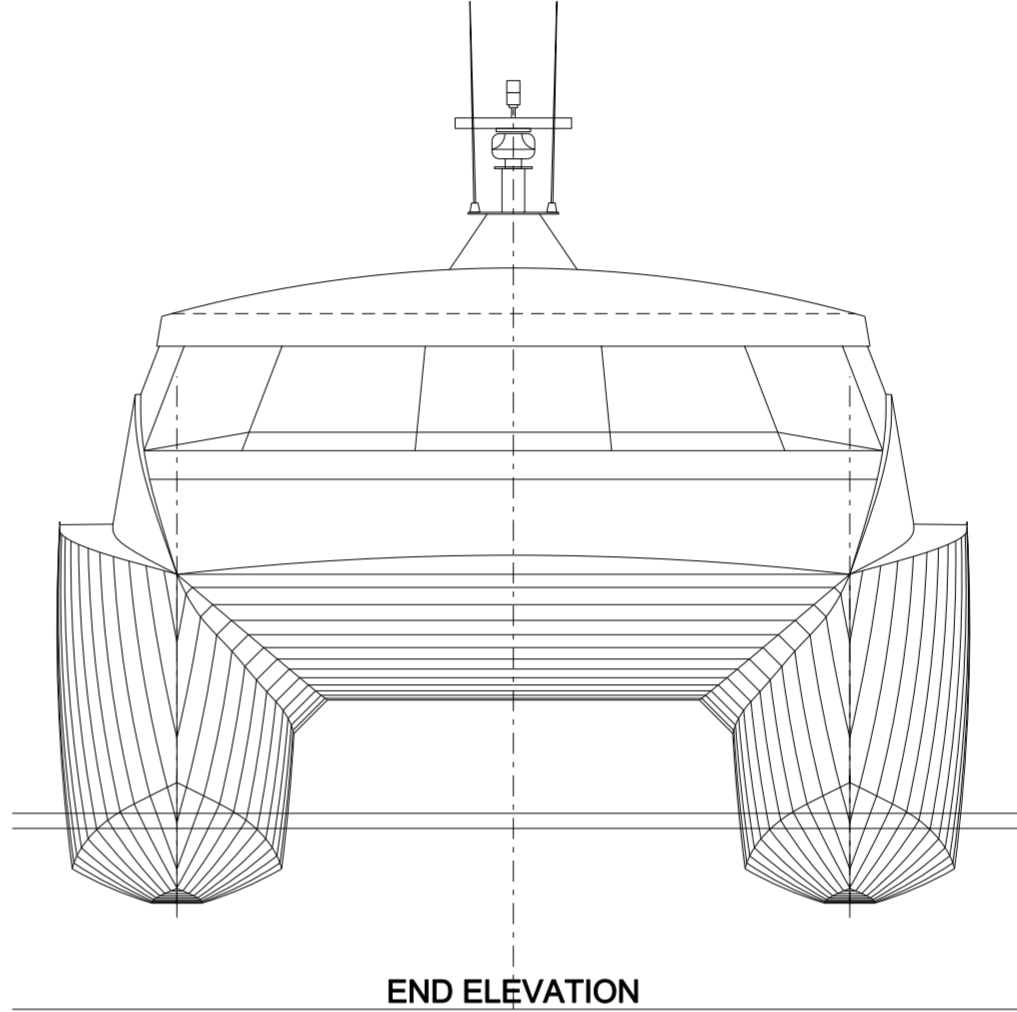


PROFILE

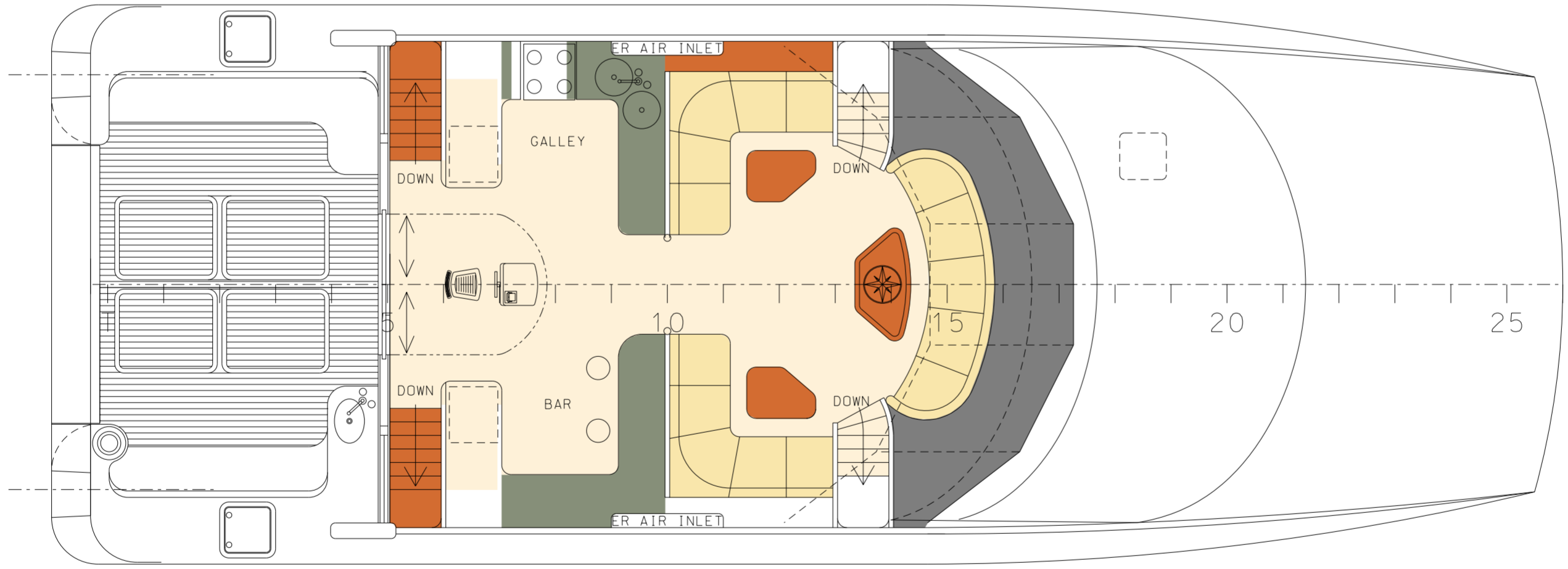
T 1 2 3 4 5 6 7 8 9 10 11 12 13 14 15 16 17 18 19 20 21 22 23 24 25 26



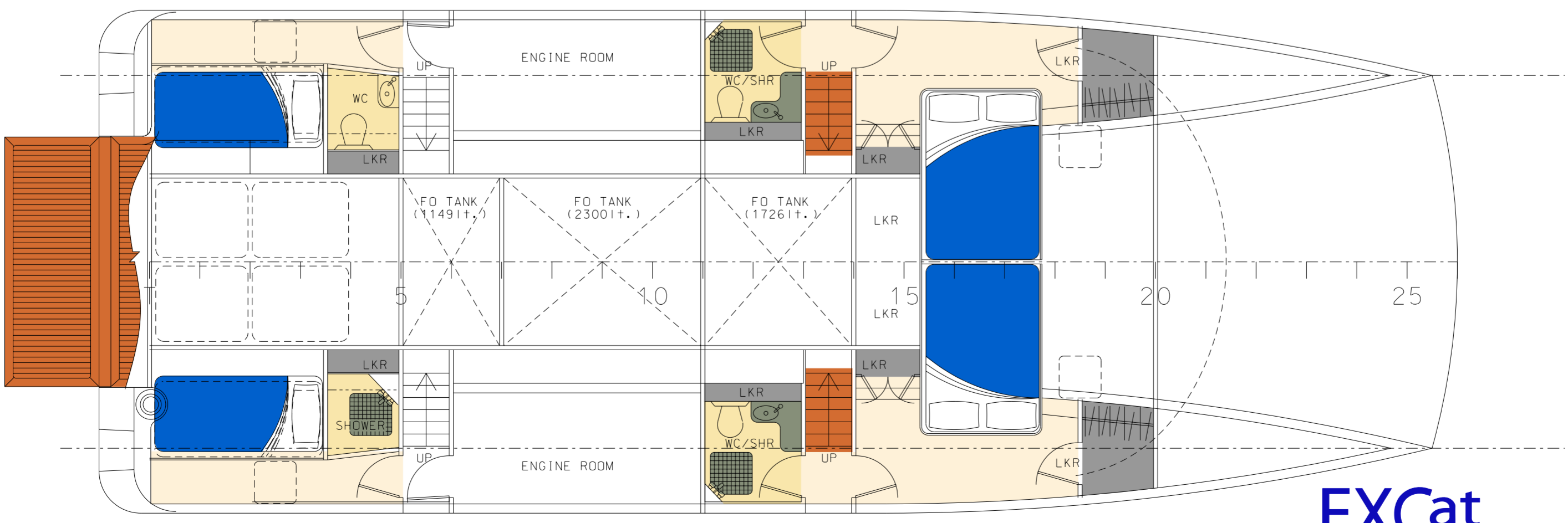
MIDSHIP SECTION



END ELEVATION



MAIN DECK PLAN



PLAN BELOW DECKS



ISSUED BY:	ISSUE DATE:
DRAWN BY: G. STEWART	APPROVED BY:
DATE: 27 JUNE 05	SCALE: 1:25 (A)
DWG NO: CPV-17-32-001	REV. DATE: 24 JULY 05

17 M FUNNY CUT PUNT
PRELIMINARY GENERAL ARRANGEMENT